

ALL THE MEASUREMENTS MAY BE MODIFIED WITHOUT PRIOR NOTICE

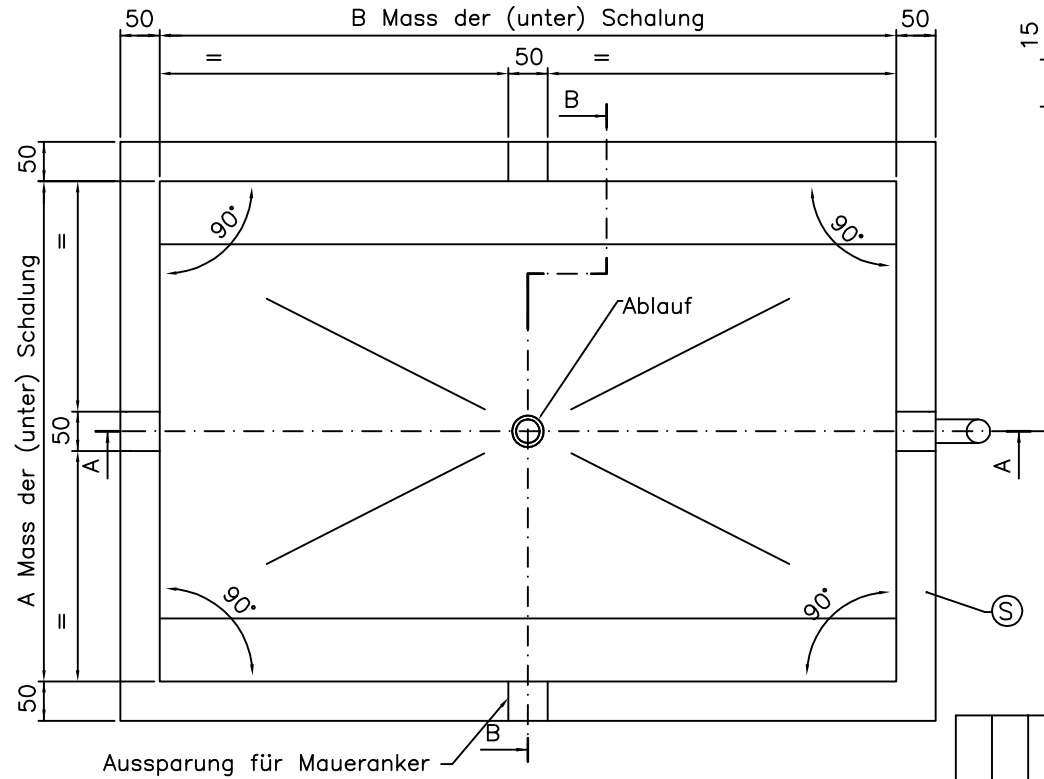
PLATFORM MODELLE	A	B	C
WWSC	535 <sup>+5</sup> <sub>0</sub>	535 <sup>+5</sup> <sub>0</sub>	58 <sup>0</sup> <sub>-2</sub>
WWSD	635 <sup>+5</sup> <sub>0</sub>	935 <sup>+5</sup> <sub>0</sub>	58 <sup>0</sup> <sub>-2</sub>
WWSE	585 <sup>+5</sup> <sub>0</sub>	735 <sup>+5</sup> <sub>0</sub>	58 <sup>0</sup> <sub>-2</sub>
WWSF	835 <sup>+5</sup> <sub>0</sub>	935 <sup>+5</sup> <sub>0</sub>	75 <sup>0</sup> <sub>-2</sub>

- (L) TO INDICATOR
- (T) ø50 TUBE FOR CABLE OUTPUT
- (S) SCALE PROFILE PLACE AND FINAL SEALING

\* THE SUPPORT MUST BE PLANAR, WELL LEVELLED AND SUITABLE TO SUSTAIN THE LOAD

REV.	DIS.	MODIFICA	DATA	QUOTE SENZA TOLL. UNI EN 22768-1																	
				DIMENSIONE	0-3	3-6	6-30	30-120	120-400	400-1000	1000-2000	2000-4000	>4000	0-10	10-50	50-120	>120				
				GROSS.	+0.2	+0.3	+0.5	+0.8	+1.2	+2	+3	+4	+5	+1°30'	+1°	+1°	+30'				
				MEDIO	+0.1	+0.1	+0.2	+0.3	+0.5	+0.8	+1.2	+2	+3	+1°	+30'	+30'	+15'				
				PRECISO	+0.05	+0.05	+0.1	+0.15	+0.2	+0.3	+0.5	-	-	+1°	+30'	+20'	+10'				
				MATERIALE MATERIAL	-																
				TRATTAMENTI TREATMENTS	-																
				DATA-DATE	08/05/08	DESEGN.-DRAWED	L.G.	APPROV.-APPROVED	A.M.	SCALA-SCALE	1/10	FOGLIO-SHEET	A4								
				DESCRIZIONE DESCRIPTION	FOUNDATION SIZES FOR WWS PLATFORMS																
				NOTE NOTES	-							CODICE CAD CAD CODE	931F35-1								
				REV. DIS.	DINI ARCEO Bilance Sistemi per pesare							CODICE CODE					-				

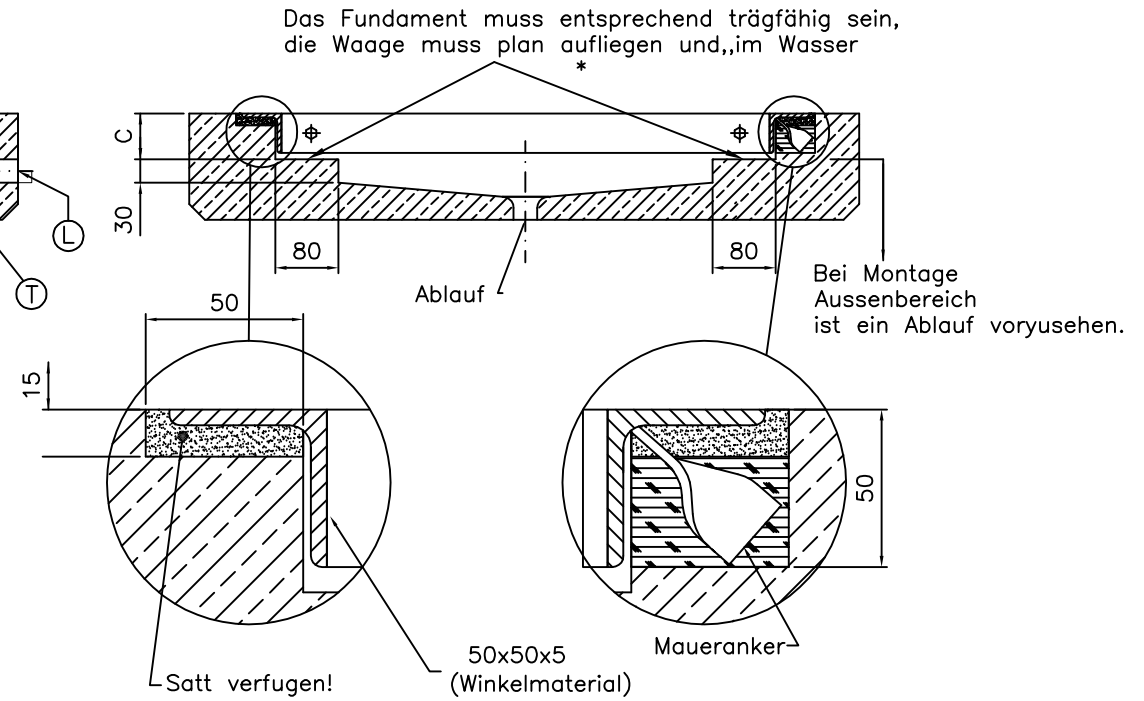
Schnitt A-A



- Ⓛ Waagenkabel
- Ⓣ Rohrweite 50∅
- Ⓢ Mass für Winkel

\* THE SUPPORT MUST BE PLANAR, WELL LEVELLED AND SUITABLE TO SUSTAIN THE LOAD

Schnitt B-B



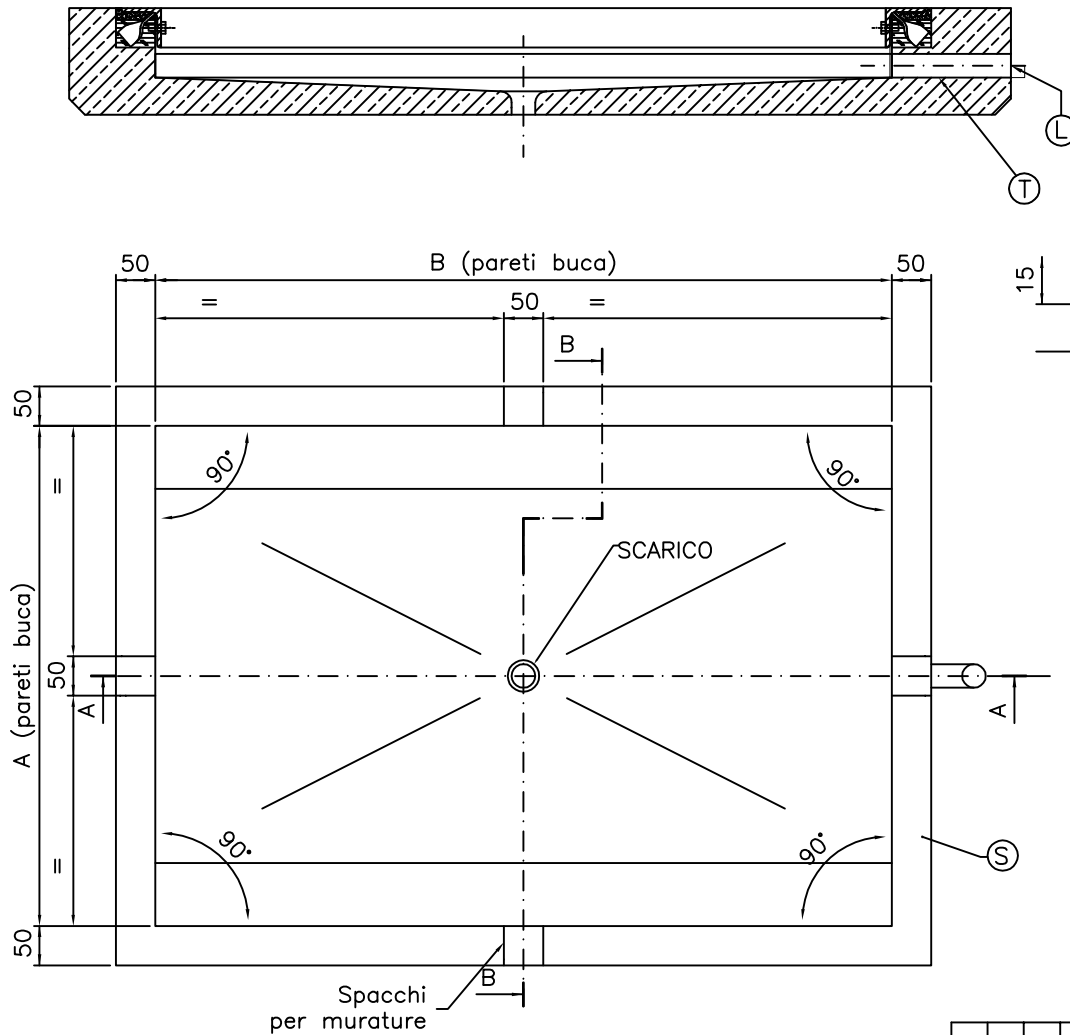
Das Fundament muss entsprechend tragfähig sein, die Waage muss plan aufliegen und, im Wasser \*

Technische Änderungen vorbehalten ohne Benachrichtigung

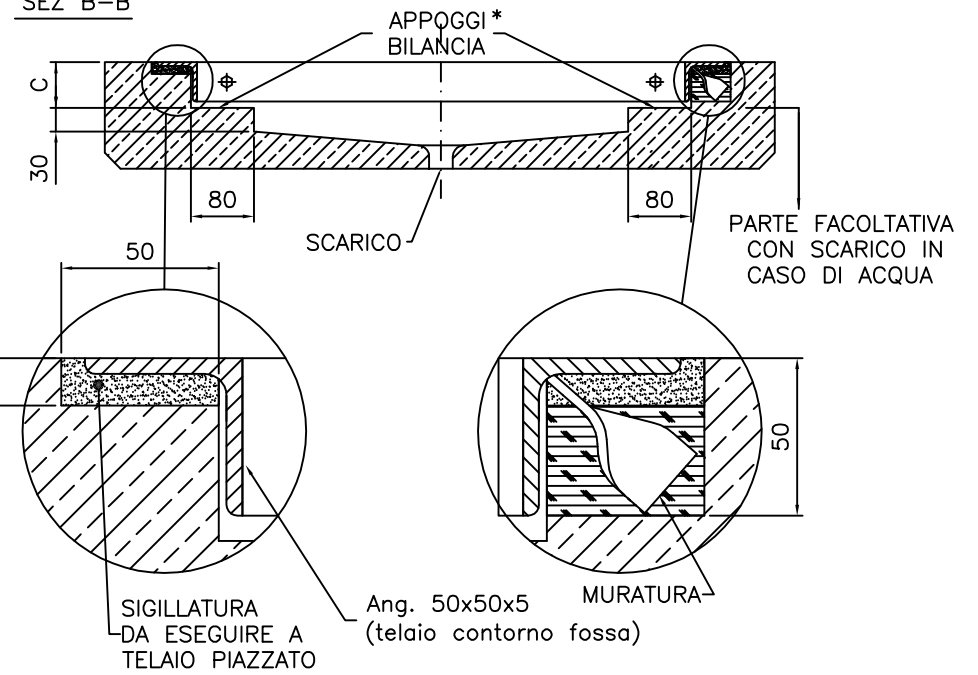
PLATFORM MODELLE	A	B	C
WWSC	535 <sup>+5</sup> <sub>0</sub>	535 <sup>+5</sup> <sub>0</sub>	58 <sup>0</sup> <sub>-2</sub>
WWSD	635 <sup>+5</sup> <sub>0</sub>	935 <sup>+5</sup> <sub>0</sub>	58 <sup>0</sup> <sub>-2</sub>
WWSE	585 <sup>+5</sup> <sub>0</sub>	735 <sup>+5</sup> <sub>0</sub>	58 <sup>0</sup> <sub>-2</sub>
WWSF	835 <sup>+5</sup> <sub>0</sub>	935 <sup>+5</sup> <sub>0</sub>	75 <sup>0</sup> <sub>-2</sub>

REV.	DIS.	MODIFICA	DATA	QUOTE SENZA TOLL. UNI EN 22768-1													
				DIMENSIONE GROSS.	0-3	3-6	6-30	30-120	120-400	400-1000	1000-2000	2000-4000	>4000	0-10	10-50	50-120	≥120
				MATERIALE MATERIAL	-												
				TRATTAMENTI TREATMENTS	-												
				DATA-DATE	08/05/08	DISEGN.-DRAWED	L.G.	APPROV.-APPROVED	A.M.	SCALA-SCALE	1/10	FOGLIO-SHEET	A4	DESCRIZIONE DESCRIPTION		ABMESSUNGEN DER GRUBE FUER WWS PLATTFORMEN	
				REV. DIS.	DINI AR GEO		NOTE NOTES		-		CODICE CAD CAD CODE		931F36-1				
					Bilance Sistemi per pesare						CODICE CODE		-				

SEZ A-A



SEZ B-B



TUTTE LE MISURE POSSONO ESSERE MODIFICATE SENZA PREAVVISO

PLATFORM MODELLE	A	B	C
WWSC	535 <sup>+5</sup> <sub>0</sub>	535 <sup>+5</sup> <sub>0</sub>	58 <sub>-2</sub> <sup>0</sup>
WWSD	635 <sup>+5</sup> <sub>0</sub>	935 <sup>+5</sup> <sub>0</sub>	58 <sub>-2</sub> <sup>0</sup>
WWSE	585 <sup>+5</sup> <sub>0</sub>	735 <sup>+5</sup> <sub>0</sub>	58 <sub>-2</sub> <sup>0</sup>
WWSF	835 <sup>+5</sup> <sub>0</sub>	935 <sup>+5</sup> <sub>0</sub>	75 <sub>-2</sub> <sup>0</sup>

- Ⓛ ALL'INDICATORE
  - Ⓣ TUBO Ø50 PER USCITA CAVO
  - Ⓢ SEDE PROFILO BILANCIA E SIGILLATURA FINALE
- \* GLI APPOGGI DEVONO ESSERE PLANARI, BEN LIVELLATI E ADATTI A SOSTENERE IL CARICO

REV.	DIS.	MODIFICA	DATA	QUOTE SENZA TOLL. UNI EN 22768-1													
				DIMENSIONE GROSS.	0-3	3-6	6-30	30-120	120-400	400-1000	1000-2000	2000-4000	>4000	0-10	10-50	50-120	≥120
				MATERIALE MATERIAL	-												
				TRATTAMENTI TREATMENTS	-												
				DATA-DATE	08/05/08	DESEGN.-DRAWED	L.G.	APPROV.-APPROVED	A.M.	SCALA-SCALE	1/10	FOGLIO-SHEET	A4	DESCRIZIONE DESCRIPTION		DIMENS. FONDAZIONI PER PIATTAFORME WWS	
				NOTE NOTES	-								CODICE CAD CAD CODE	931F34-1			
					-								CODICE CODE	-			



**DINI ARCEO**  
Bilance Sistemi per pesare