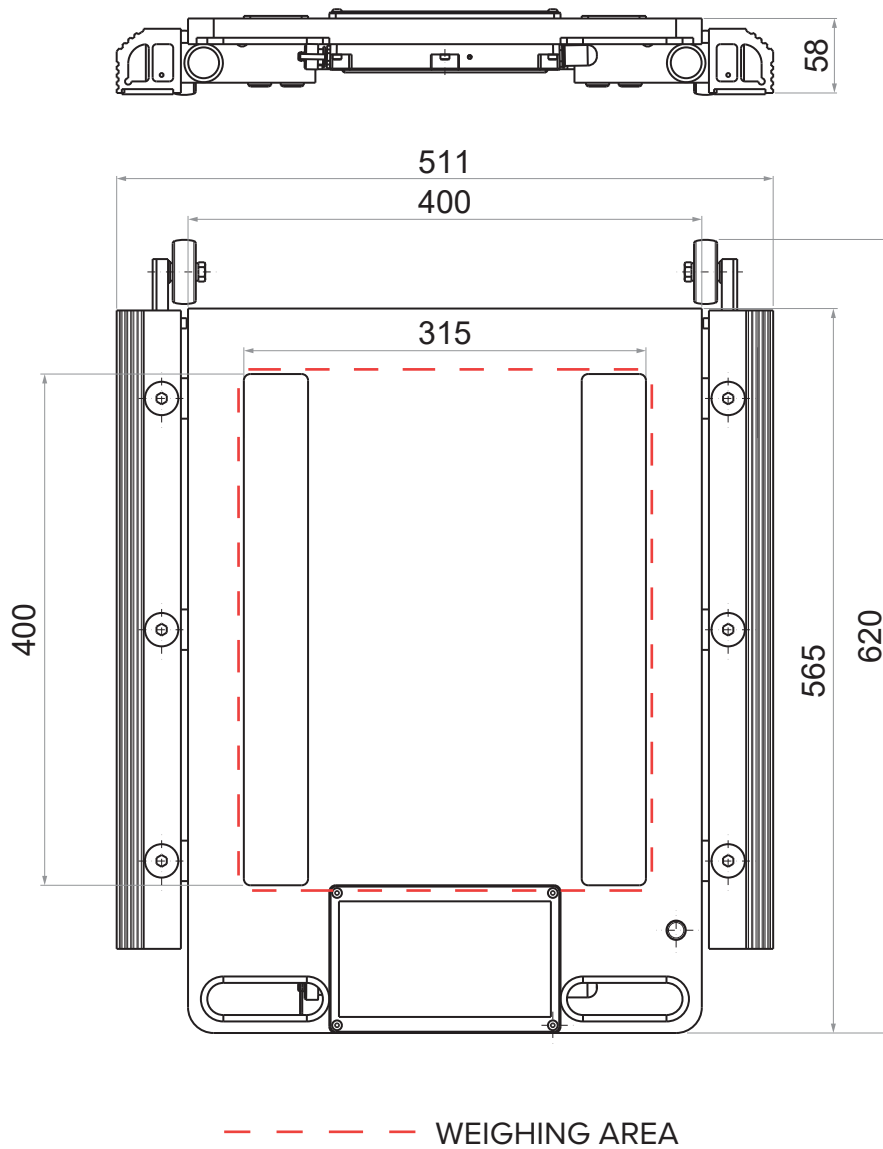
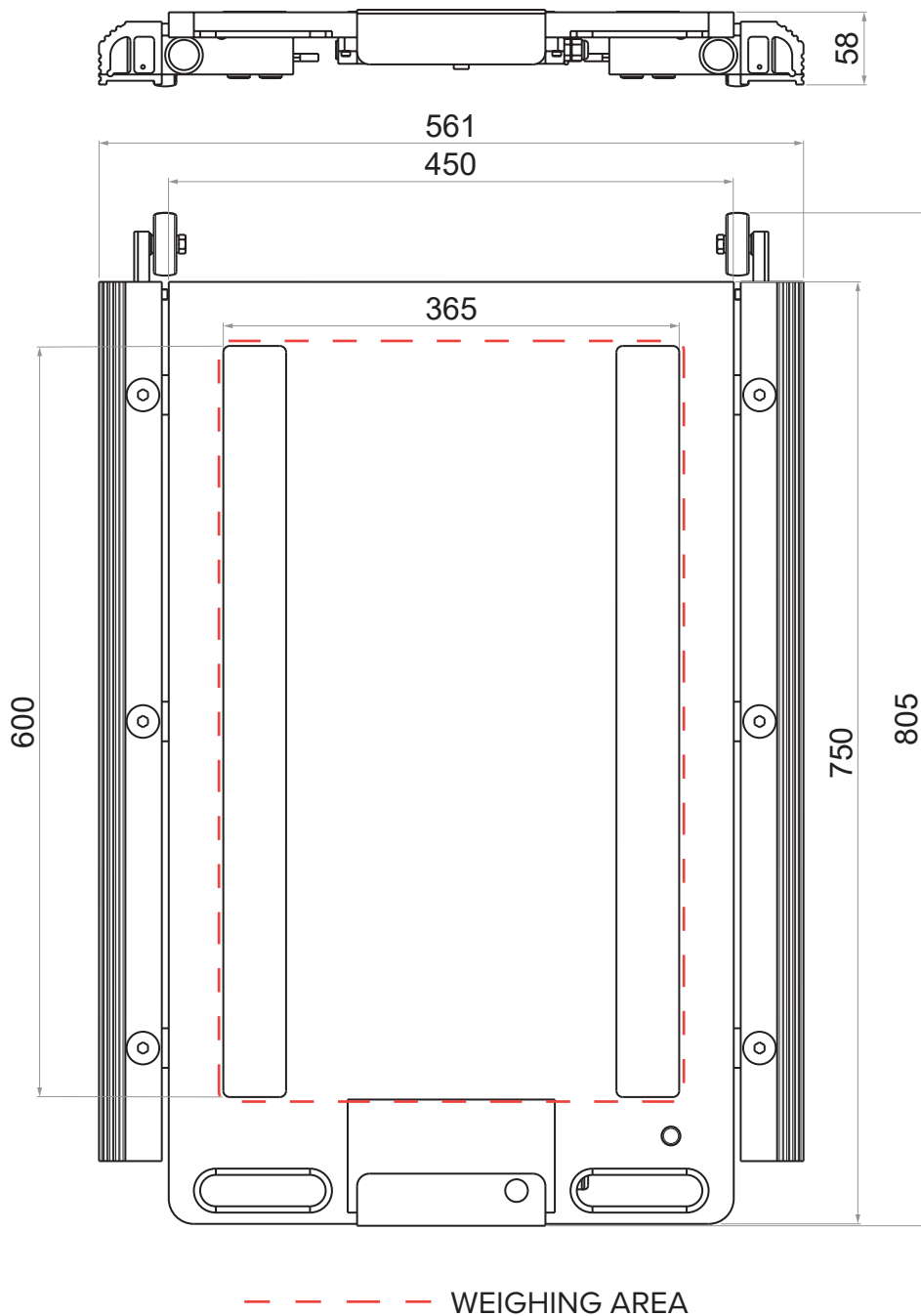


WWSCRF



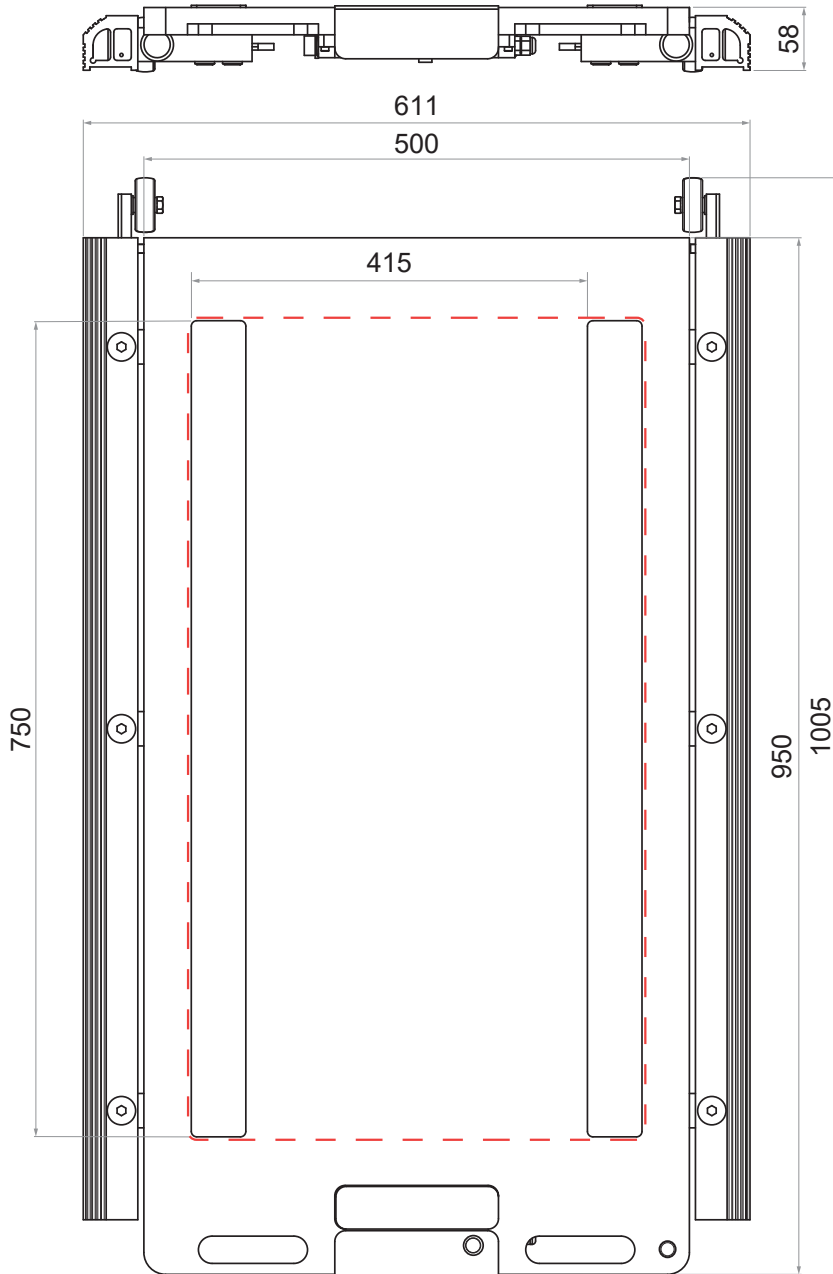
dimensions in mm

WWSERF



dimensions in mm

WWSDRF



--- WEIGHING AREA

dimensions in mm